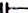
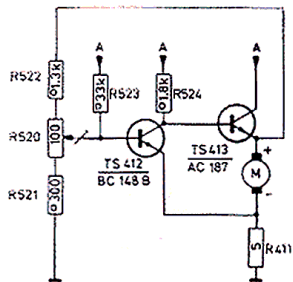
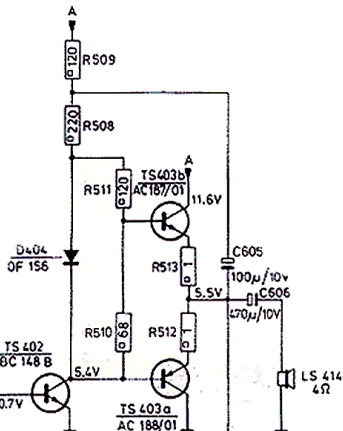
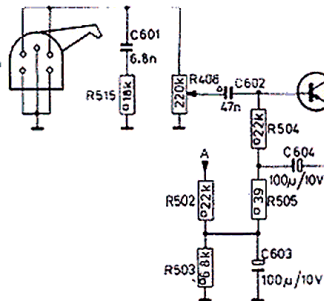
  $\frac{1}{8}W$  5%  
 500V  $\pm 20\%$



CONNECTION  
VOLTAGE ADAPTER

110V	2-1
127V	7-6
220V	7-4
240V	2-3

